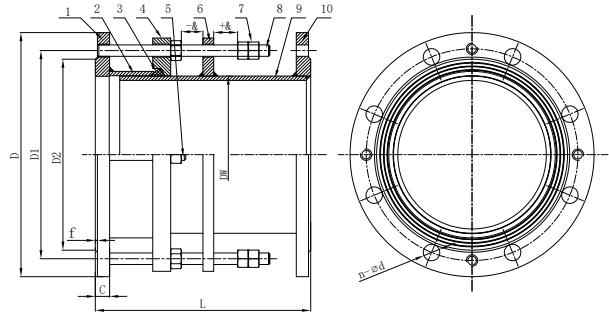


Carbon Steel Full Welded Double Flange Sleeve Limited Expansion Joints (B2F), PN10/16



B2F

- Design Standard: GB/T 12465
- Connection Ends: EN 1092-1
- Flange Specification: EN 1092-1
- Working Pressure: PN10/16
- Temperature Range: 0°C- 100°C
- Coating: Fusion Bonded Epoxy Coating in accordance with ANSI/AWWA C550



MATERIAL SPECIFICATION

Part No.	Part	Standard Specification
1	Body	20# Carbon Steel
2	Rubber Ring	EPDM
3	Stud Bolt Threads	Zinc Plated Carbon Steel
4	Nut	Zinc Plated Carbon Steel
5	Positioning Screw	Zinc Plated Carbon Steel
6	Telescopic Tube	20# Carbon Steel

Note: For special material request other than standard specification, please indicate clearly on the inquiry or order list.

DN		PN	Dimensions(mm)								
Inch	mm		DW	L	D	D1	D2	C	f	Expansion Capacity(&)	n-Φd
2"	50	10/16	60	340	160	125	100	20	3	25	4-Φ18
2.5"	65	10/16	76	340	180	145	120	20	3	25	4-Φ18
3"	80	10/16	89	340	195	160	135	20	3	25	8-Φ18
4"	100	10/16	108	340	215	180	155	22	3	25	8-Φ18
5"	125	10/16	133	340	245	210	185	22	3	25	8-Φ18
6"	150	10/16	159	340	280	240	210	24	3	25	8-Φ22
8"	200	10	219	340	335	295	265	24	3	25	8-Φ22
		16						26			12-Φ22
10"	250	10	273	340	390	350	320	26	3	25	12-Φ22
		16			405	355		29			12-Φ26
12"	300	10	325	370	440	400	368	26	4	32.5	12-Φ22
		16			460	410	375	32		32.5	12-Φ26